

K-05

DENTAL UNIT

Be more professional

2021 version





Technical Parameter

Patient Chair(Center of Cushion): 380 mm~640 mm

Adjust Angle: Back Rest: $-5^{\circ}\sim 75^{\circ}$

Instrument Arm: 100°

Balancing Arm: 200° ,

(Up and Down Movement: ≥ 440 mm)

Instrument Tray: $\geq 120^{\circ}$

Ceramic Spittoon: 60°

Light Arm: $\geq 300^{\circ}$,

(Up and Down Movement: ≥ 460 mm)

Operation Light: $\geq 270^{\circ}$

Assistant Arm: 90°

Assistive Device Tray: $\geq 30^{\circ}$

Specifications

Dental Operation Light:

Light intensity: >8700 lx, Color Temperature: $>3257^{\circ}$ K

X-film Viewer:

Color Temperature: >9000 K, Light intensity: >2000 cd/m²

Strong Suction:

Vacuum Degree: >16 KPa, Air Flow: >1350 ml/min

Saliva Ejector:

Vacuum Degree: >28 KPa, Water Flow: >1700 ml/min

Flow of Handpiece Tube: ≥ 30 L/min(0.22MPa)

Torque of Handpiece: >0.055 N·cm(0.22MPa)

- ① New Environment-friendly and Anti-corrosion Imitation Porcelain Main Box
- ② 3-in-1 Tissue Box Combo (Cup Holder, Tissue Box and Storage Shelf)
- ③ Stable and Grounded Instrument Tray and Dental Light
- ④ Washable Foot-Rest
- ⑤ Soft and Durable PU Leather Patient Chair
- ⑥ Ultra-low Patient Chair Position for Patient Easy Usage
- ⑦ Arm Rest Move Along With Back Rest
Right Arm Rest Can Be Rotated Down
- ⑧ Detachable and Sterilizable Operation Light Handles



Advantages of A05



- 1: Rotatable main box can be repaired and four-hands operated easily.
- 2: **Arm rests** move along with back rest. So that the patient can hold them better.
- 3: The safe and reliable **noiseless 24V DC motors**, have passed plenty of quality tests.
- 4: **Imported durable air and water tube** have all passed national biocompatibility testing and burst pressure detection.
- 5: **Imitation Porcelain Main Box** is anti-corrosion, easy to clean and non-discoloring.
- 6: Flexible moving parts are with large-scale rotated range. So our unit can be used for all surgeries.
- 7: Ultra-low position of patient chair(**380mm**) can be easily use for kids and disables.
- 8: **Floor type instrument tray** makes the whole unit more stable. Make it work for implant surgery as well.
- 9: Ceramic spittoon is easy to clean and with fashionable appearance design. **Optional stalinite Spittoon** can meet your personalized need.
- 10: **Unique Tissue Box** has elegant appearance and practical function.
- 11: Assorted **dental operation light** is with sensor device, stepless adjusted brightness. In order to reduce the cross infection effectively.
- 12: With main control, assistive control and foot pedal control. So that it can achieve four-hands operation.
- 13: The **negative angle design** of back rest makes the treatment become more effecient and safe.



Detachable Spittoon



Multi-function Assistant Control



3-in-1 Tissue Box



LED Six Light Bulbs Dental Light



Multi-function Foot Pedal

Optional Configuration



Intraoral Camera Holder



LED-O
Shadowless Dental Operation Light



Top-mounted Type Instrument Tray



Nurse Chair



Standard Configuration

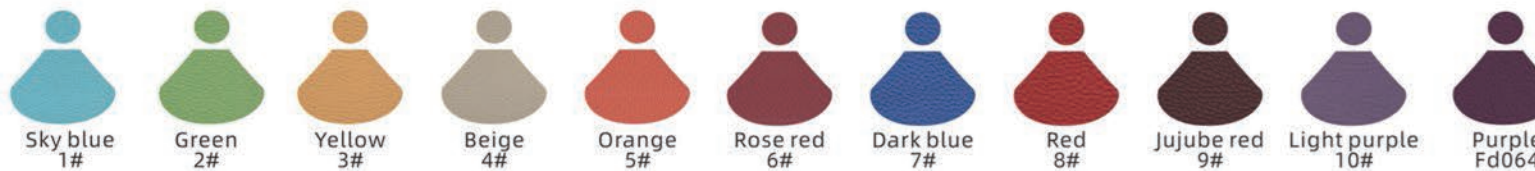
high elasticity PU Leather Patient Chair	1 Set
Strong Suction and Saliva Ejector Device	1 Set Each
Three Ways Syringe(cold/hot)	2 Sets
LED Dental Operation Light	1 Sets
LED X-film Viewer	1 Sets
Constant temperature water supply system	1 Sets
With 5 Position memories	1 Sets

Color Options

Seamless of PU Leather

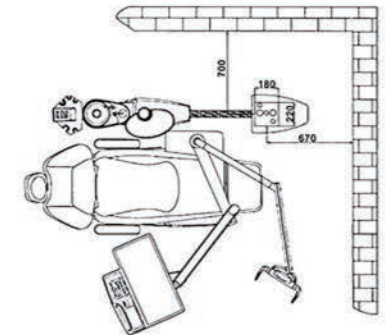
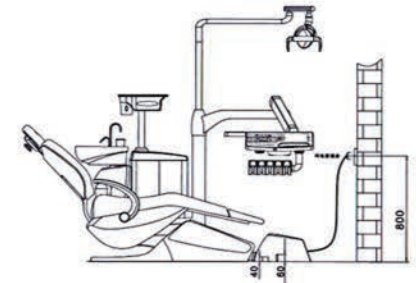


Optional High-end Fiber Leather

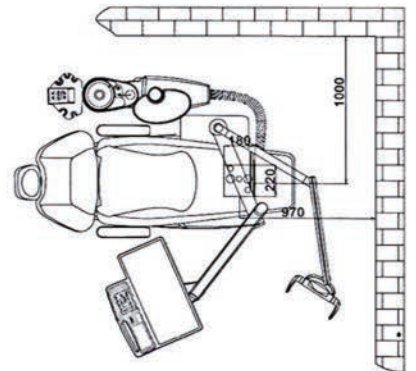
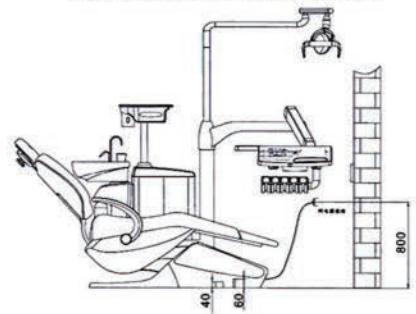


The picture only supply the reference. All color in kind prevail.

Installation Instruction



For Build-out Ground Box



For Build-in Ground Box